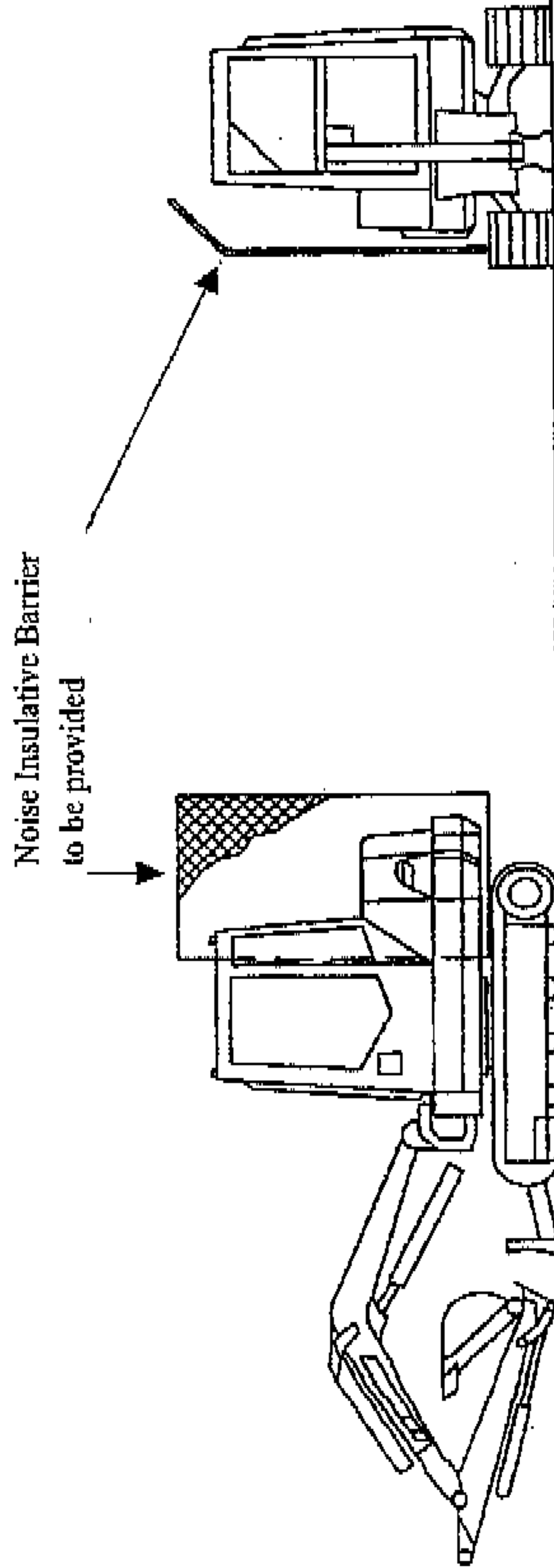



Figure 2(e)
Noise Barrier on Excavator
Extracted from MTRC's Contractor
(Kumagai Gumi Co., Ltd)
Addendum to submission for
VEP Application No. VEP-072/2002



 地鐵公司 MTR CORPORATION	100 HONG KONG AVENUE, HONG KONG TEL: (852) 2111 2222 FAX: (852) 2111 2222	TST/MOK/KOT STATION ENHANCEMENT PROJECT		NOISE INSULATIVE BARRIER FIXED TO EXCAVATOR ENGINE AREA FROM WHICH NOISE IS GENERATED				DATE 2002	DRAWING NO. -	A/C APPR. -
		CONTRACT NO. CONTRACT 4420 TSM SHA TSUI STATION MODIFICATION	CHECKED TY	DESIGNED BILLY	DATE JAN 02	A/C DWG NO. -	PT. KA	DRAWING NO. -	REV. -	